

## **SW-S400**

# **SPARKULAR USER MANUAL**

**Please read this manual carefully before**



**operating this product.**

# Safety

## Warnings and Cautions



The sign is to remind users of paying attention to risk and security.

Please note that the machines are not meant to be a continuous duration effect. The maximum running time is 30 second and can be repeated but should not be done to overheat the machine.

## Eye Protection



Eye protection warning sign is to remind you of protecting the eyes during the machine operation.

## Injury Voltages



Warning: Dangerous voltages are present in this machine when electrical power is applied. There is a danger of injury from electric shock. Under no circumstances are you to attempt to open the machine or attempt to remove or adjust any components fitted within the machine.

Only fully trained engineers can open the equipment.

## Caution Against Liquids



Use caution so that any liquids do not wet the machine. Keep the machine and controller dry and not use rainy or snowy days unless covered.

## Warning



happens

Please prevent anything from entering the fountain port, if this

Please clear obstructions before continuing operation.

Please prevent machine from dropping when installing “DAMAGE CAN OCCUR”.

## Cleaning



Please inspect fountain nozzle before use and confirm whether there are accumulation granulates. If it does, please clean out by inverting the machine to clean out port.

# User Manual

## sparkular

### ➤ Security Considerations:

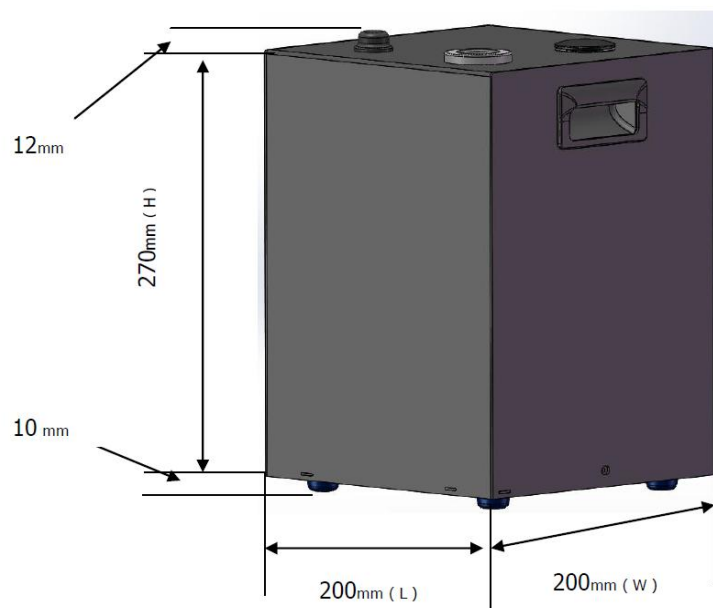
1. Unauthorized repair is prohibited, or else it may cause serious accident.
2. Keep sparkular dry and do NOT use in rain or snow.
3. Make sure the hopper lid is well covered when use sparkular. Accidentally Burning of Composite Ti can only use sands to extinguish. Composite Ti should be stored in a dry sealed environment.
4. Keep audience and flammable material at a minimum distance of 3m from sparkular. Make sure sparks shooting out from sparkular can NOT reach any objects.
5. It is necessary to clean the Composite Ti remains in the pipe before and after the show. Check whether there are Composite Ti remains in the nozzle after each show. If it does, please clean it up, or else it will affect the shooting effect or even damage sparkular.
6. Connection maximum is 6 pieces, and over-connection may result in damage or even fire.

7. For better heat dissipation, do NOT block the air intake and air outlet.

Cover nozzle is prohibited.

➤ **Parameter(machine):**

Working Height	1-5M
Working Temperature	-10°C-50°C
Heating Power	400W 6A (110V Version) 400W 3A (220V Version)
Fuse	110V/10A, 220V/6A
Interface	Double DMX input, Double AC power
N.W.	8.5kg
G W.	9.5KG
Size	232*195*235(mm)
Max. connections	Max. 6PCS
Warranty	1 year



➤ **Parameter(consumables):**

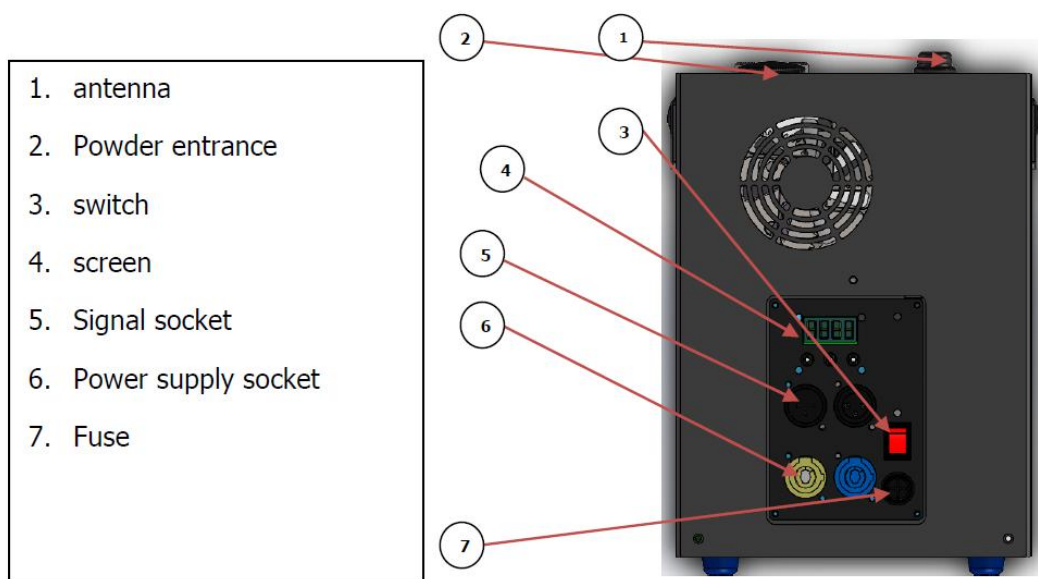
<b>Consumable material:</b>	Titanium Alloy Grains
<b>Net Weight:</b>	250g
<b>Usage:</b>	total 15-20 minutes spark shooting
<b>Package:</b>	Vacuum packing

**DMX Channel mode**

The system occupies 1 channels

The First Chanel	Function
000-007	NO FUNCTION
017-063	NO FUNCTION
008-016	Stop Heating
064-128	Low Output
129-196	Medium Output
197-255	Max Output

**Product Rear Side:**



## **Safety instructions**

Equipment must be stored in dry conditions (The air humidity is within 35%)

Do not expose the equipment to high temperature above 30 degrees outdoors for too long

Equipment should not be stored in leaky environment

Do not store equipment in environments with corrosive and flammable substances

## **Ignition Conditions**

Equipments should not be damped or flooded, and should be avoided from being used on the same stage as stage equipment which produces water mist as far as possible. The discharge of outdoor powder should be guaranteed to be 7-8 meters above the equipment without shield.

Keep watch at a safe distance of 3 meters from the equipment during discharge

Do not set off outdoors in heavy rain and snow

Do not block the bottom air inlet in any form or seal the bottom of the equipment in any form to obstruct the air inlet passage, otherwise it will cause the fan to work abnormally

Do not tilt the equipment (No angle, no form of tilt)

### **● Regulations on Safe Use**

In the process of heating and constant temperature, do not touch the top and side outlets of the equipment.

During the working process of the equipment in the discharge area, it is strictly forbidden for unrelated personnel to approach it.

Do not place shield on top of equipment during heating, constant temperature and discharge

After the discharge, try to use up the consumables in the shaking. If there is too much left over, please cover the lid to prevent the leakage and dampness of the consumables (storage time should not exceed 2 days).

Do not pour the consumables into the spray nozzle. If poured in, start the equipment quickly and blow the consumables out.

Do not remove the rubber footpad at the bottom by yourself

Unused consumables need to be sealed and moistureproof preserved

When using equipment, be sure to follow local laws and regulations.

## Correct Use of Specifications

Live plug-in is not allowed

After starting the device, press the "FUNCTION" button (that is, the first button on the screen), observe for 3-5 seconds to determine whether the temperature is rising normally.

After the equipment has been kept at constant temperature, please idle for 25 seconds before putting powder in it. Keep in mind that the powder cover must be covered well after the powder is put in.

After the above operation, please make sure to start the equipment at low speed and spray out flowers at the spray outlet, that is, the preparatory work is completed.

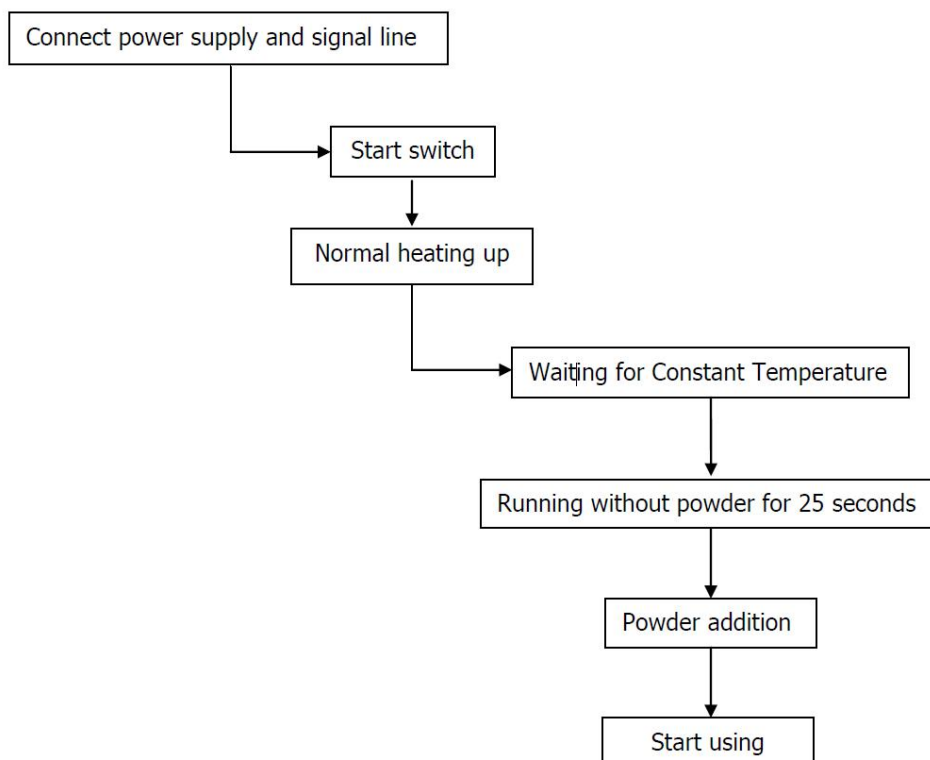
After using the equipment, try to use up the consumables. If the consumables are used up, please idle the equipment for 25 seconds before the power can be cut off.

After the above operation, remember to cover the fireworks pollen and store them in dry environment.

If the fireworks pollens are not exhausted and need not be idled, please cover the consumables immediately (storage time should not be too long, it is recommended not to exceed 2 days).

In the cold or humid environment, it is strongly recommended not to leave consumables in the equipment. After using, the equipment must be idled for 25 seconds and stored in a dry environment!

## Control instructions



## Check the temperature

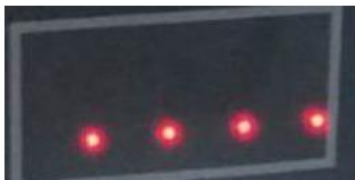
Press "Function" to view temperature



Four lights flashed continuously on the screen ( Warming state )



Constant temperature state



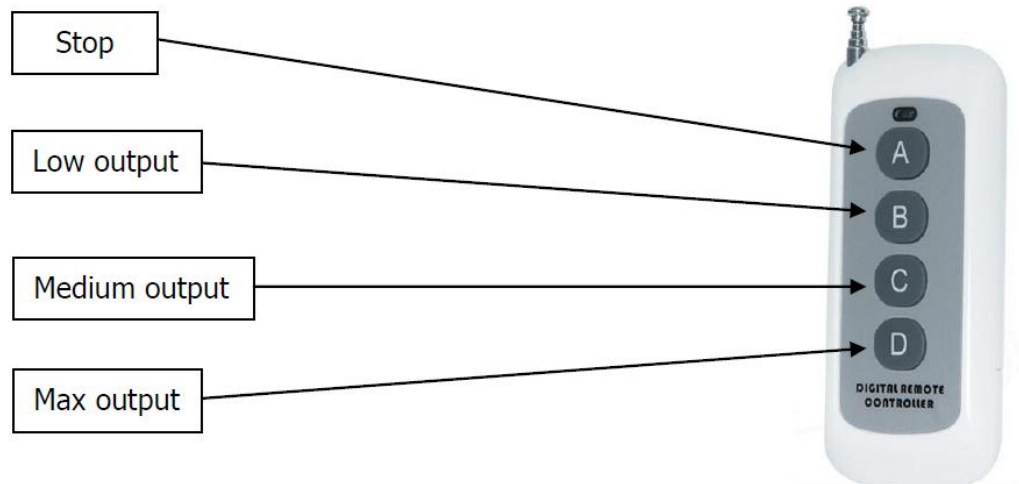


### Tuning channel

Long press 4 seconds "UP" or "DOWN"



The screen will display. Then press "UP" or "DOWN" tuning channel





***Company: Guangzhou Sailwin Light&Audio Technology CO.,LTD***

Add:NO3 Seiko Creative Park,Wangang Road Huadu District,Guangzhou,China

Email: [info@sailwinlight.com](mailto:info@sailwinlight.com)

Tel: 0086-20-61839740

Phone: 0086-15013209611