
295W beam shaking head lamp



operation instructions

Please read the manual carefully and keep it properly before using the product



directory

- 1、 Unpacking inspection- 3 -
 1. Packaging-
 - a) Unpacking- 3 -
 - b) Packaging equipment- 3 -
 - 2、 Safety instructions- 3 -
 - 3、 Operating Instructions- 4 -
 - 4、 Installation- 4 -
 1. Connection of power supply-
 - 5、 Lamp body size- 6 -
 - 6、 Lamp Function Operation- 6 -
 1. Lamp Function Settings -6-
 2. Power on operation-
 3. Display Menu-
 - 7、 DMA Channel- 9 -
 - 8、 Maintenance and cleaning- 12 -
 - 9、 Technical parameters- 12 -
 - 10、 Pattern disc/color disc- 13 -

一、Unpacking inspection

First of all, thank you for choosing our company's product. Please carefully and completely read this user manual and keep it properly for reference during use. This manual contains important information about the installation and use of the shaking head lamp.

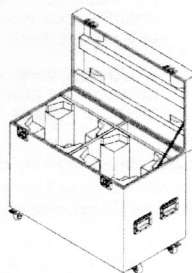
This lamp is made of a new type of high-strength and temperature resistant engineering plastic shell, with a beautiful and smooth appearance, fully reflecting modern times. This product can be controlled by a single device or used in conjunction, and is suitable for use in large cultural performances, theaters, studios, and other places.

When receiving the product, please handle it carefully, check if there is any damage caused by transportation, and check the following accessories

The signal line	power line	instructions
1 article	1 article	1 book

1. package

- a) Unpacking
- b) i. Open the aviation box (as shown in the picture)
- c)
- d) li. One person on each side to lift the equipment out from the bottom
- e)
- f) lii. Open the horizontal and vertical transport locks before operation



航空箱

Packaging Equipment

- i. Disconnect the power supply and allow it to cool down

li. Lock the head and arms (as shown in the picture)

lii. Place it inside the box and cover it with the aviation box cover

二、 Safety instructions

All personnel involved in the installation and maintenance of this equipment must:

- 1) Technician qualification with relevant skills
- 2) Follow the requirements of this manual
- 3) Ensure that the power cord is not broken or cut or damaged by sharp objects, and regularly inspect the equipment and power cord.
- 4) The protection level of this equipment is Class I, so please connect the yellow/green connecting wire to the grounding line, and maintenance and service must be carried out by specialized technical personnel.
- 5) Do not connect the device to the dimming device.
- 6) Attention! Be careful of your eyes! Avoid looking directly at light sources (especially for epilepsy patients)!
- 7) The manufacturer shall not be responsible for any accidents or losses caused by improper operation and unauthorized modification of the equipment without following this manual.
- 8) Please note that we are responsible for any accidents and losses caused by any unauthorized modification of the manual for normal operation or unauthorized modification of the equipment.
- 9) Do not connect the power supply to other wires! Pay special attention to the consistency between the power supply voltage and the marked voltage of the host! Ensure that the effective voltage does not exceed the indicated voltage.

10) Ensure that the power plug is inserted into the power socket. Ensure that the power switch is set to the OFF/OFF position before connecting the device to the main power supply.

be careful!

Waterproof, moisture-proof, and pay attention to disconnecting the main power supply before opening the chassis! Handle with caution. High voltage danger, be careful of electric shock! To ensure the normal and safe operation of these conditions, users must comply with the following safety regulations and precautions in this manual when leaving the factory.

三、 Operating instructions

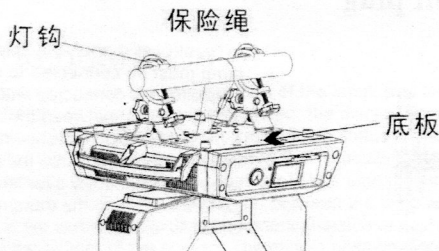
- 1) This device is a shaking head beam lamp used to create decorative beam effects.
- 2) If the equipment goes through a large temperature difference (for example, after transportation), do not start the equipment immediately, because thermal expansion will damage the equipment. Please wait until the device reaches normal room temperature before turning on the device.
- 3) Pay attention to shockproof measures. Avoid strong collisions during equipment installation.
- 4) Do not use the lamp cap to lift the entire equipment, as the mechanical properties of the equipment may be damaged. Please use transportation equipment.
- 5) When selecting the installation location, please ensure that the equipment is not exposed to excessive heat, humidity, or dust. Do not place any wires on the ground, otherwise you may harm yourself or others.
- 6) Please use a safety rope to secure the lamp and lock the safety rope in the normal hole.
- 7) Only operate this equipment when ensuring that the inspected lighting fixtures are fixed and all screws are tightened* Only after familiarizing yourself with the functions of this device can you operate this lamp. Non technical personnel are prohibited from operating this equipment, as many damages are often caused by unprofessional operations.
- 8) If transporting equipment, please use the original packaging.
- 9) For safety reasons, unauthorized device changes are prohibited.
- 10) Any equipment malfunction caused by not operating and using this device according to the instructions is not covered by the warranty. And any short circuits, electric shock, accidents, etc. caused by this are not covered by the warranty.

This lamp uses discharge bubbles. Based on the characteristics of discharge bubbles, please turn off the lamp for fifteen minutes and wait for the bulb to fully cool before restarting. Frequent switching can reduce the lifespan of lighting fixtures and bulbs

四、install

- 1) When installing equipment, be sure to stay away from flammable items (decorative materials, etc.) and maintain a distance of at least 1 meter from them.
- 2) Fix 2 quick locks on the base of the lamp and hang them on the place where the lamp is installed, which can be installed in four directions.
- 3) The place where the lighting fixture is installed must bear more than ten times the weight of the fixture itself, and the suspension site must be tested for deformation within one hour.
- 4) When hanging a lamp in the air, a safety rope is usually installed, but it must be able to withstand more than ten times the weight of the lamp. You must use a safety rope with a safety buckle. Thread the safety rope through the hole at the bottom of the lamp, then bypass the lamp holder or other fixture, and finally insert the end of the safety rope into the safety buckle and tighten the screw.

如图



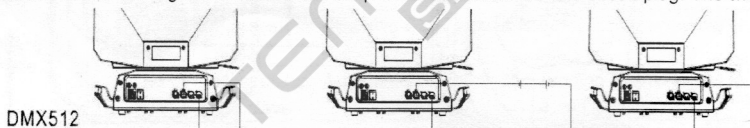
1. Connection of power supply

Please verify the power of the power supply device before connecting the lamp to the main power source using the plug of the power cord! The ground wire must be grounded

Connection of D M X -5 1 2/and connection between lamps

Connect the X L R - X L R control cable from the D M X output port of the control port to the D M X input port of the first lamp, and connect it from the D M X output port of the first lamp to the D M X input port of the second lamp, and so on until all the lamps are connected. Then, plug the accompanying circuit into the signal output port of the last lamp to complete the connection.

Attention: The D M X signal line of the last lamp must be connected to a circuit plug. The two



pins of the signal (-) and signal (+) plugged into the three core XLR are only connected to a 120 ohm resistor. Then insert it into the D M X signal output port of the last lamp. If you are using a standard console, you can directly connect the D M X output port of the console to the D M X input port of the first lamp through the D M X signal cable. If you want to connect the D M X console to other X L R output ports, you need to use a conversion cable

DMX output
3-Pin XLR Socket

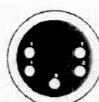


- 1: Ground
- 2: Signal (-)
- 3: Signal (+)

DMX input
3-Pin XLR Socket



DMX output
5-Pin XLR Socket

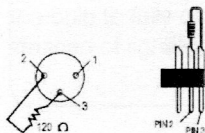


- 1: Ground
- 2: Signal (-)
- 3: Signal (+)
- 4: N. A.
- 5: N. A.

DMX input
5-Pin XLR Socket

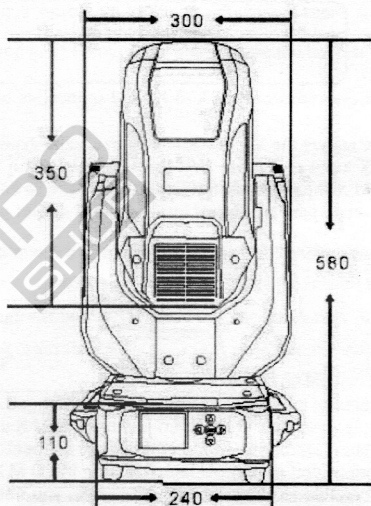
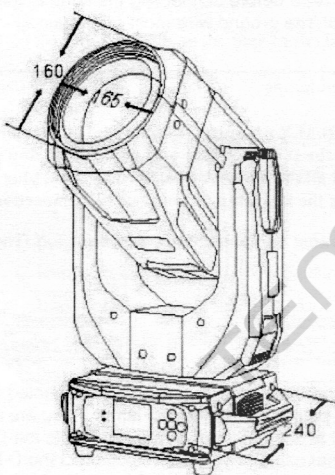


D M X circuit plug



In "controller mode", the D M X output port of the last lamp must be connected to the D M X circuit plug. This circuit is connected with a resistance of around 120Ω (OH M) between the 2 and 3 pins of the "C a n o n (XLR)" plug (as shown in the left figure). Inserting this circuit into the output port of the last lamp can effectively avoid the noise and reflection generated during the transmission process of the DMX512 signal.

五、Lamp body size



六、Lamp function operation

1.Lamp function settings

By using a touch control switch and LCD display, you can easily and conveniently set the address code and function code. View or modify the lamp function settings, press the E N T E R key, and the LCD screen will display the lamp function menu. There are corresponding submenus in the main menu of function operation, and each menu represents a specific function of the lamp. The specific content is shown in the displayed menu in the table below.

Set or browse the lighting functions, press the M O D E or E N T E R keys.

Press the E N T E R key to save your modifications or enter a submenu, and operate the knob to select menu items and make numerical modifications. Press the M O D E key to return to the previous menu level. If no key is pressed within 60 seconds, the menu operation interface will automatically exit.

2. Power on operation

Connect the power supply, turn on the power switch of the lamp, and the lamp will start resetting and self checking. After the reset self test is completed, the display screen will display the information in the table below, indicating the corresponding status of the lamp. The display window is set to display the DMX address status "0 0 1", indicating the DMX address code. If the display screen does not flash, it indicates that the DMX signal connection is normal. This state can be used to check whether the connection between the lamp and the console is normal. The display window is set to display the DMX numerical status of each channel. The channel name is displayed at the bottom of the screen. The middle position displays the DMX value of the channel.

The lighting fixtures can be set to host voice control operation/host running built-in program/single machine voice control/single machine running built-in program. When set to the host, the console cannot be connected, otherwise there may be signal interference.

If there is a channel fault in the lamp during the reset process, the LCD screen will take turns displaying "PAN, TILT, COLOR

GOBO1、CYAN、MAGENTA、YELLOW、CTO、ZOOM、P RISM、PRISMRAN。" letter

3. Display menu

option	illustrate	
Operating mode	DMX	Slave state: receiving DMA signals from the control console or host
	auto matic	Host status: Automatic operation and sending DMXD signal to the slave
	Voice contr ol	Receive external sound or vibration, run built-in program effects
DMX address	1-512	Press the "OK" button to enter the editing status. At this point, select the hundred digits. Press the "Up" and "Down" buttons to change the address code. Press the "OK" button again to select the ten digits for editing. Press again Press the "OK" key to select a bit for editing. Press again to exit the editing status
Channel Mode	16	Channel 17-20 invalid
	20	Speed control for channels 17-20 (see channel table)
X reversal	Off/On	
Y reversal	Off/On	
XYencoder	close	Correction of position without encoder (optocoupler)
	open	Using an encoder (optocoupler) to determine out of step and automatically correct the position
No DMXs	maint ain	Continue running in its original state
number	zero cleari	Motor returns and stops running

	ng	
screen saver	open	Turn off backlight after idle for 30 seconds
	close	Backlight is always bright
Turn on the bright bubble	open	When the lamp is activated, the light bulb automatically lights up
	close	When starting the lamp, the light bulb does not light up

Information, corresponding to horizontal, vertical, color disc, rotating pattern disc, cyan, magenta, yellow, color temperature, amplification, prism, prism rotation failure. After a fault message appears, the lamp will self check and reset once again to confirm the faulty channel, and then enter the normal control state of the lamp. However, the faulty channel will not be controlled.

option	illustrate
Fan Speed	0000RPM Display Fan Speed
Total usage time	Accumulated usage time (accurate to minutes)
Time of use this time	Usage time since this startup (accurate to minutes)
Total bright bubble time	Accumulated bright bubble time (accurate to minutes)
Time of this bright bubble	The flashing time since this startup (accurate to minutes)
DMX channel value	In the DMA state, display the channel values (numerical values) of all channels, thus entering the sub interface and counting Value and percentage display channel values for viewing
System error records	If the red ERR indicator light is on, it indicates that the reset has failed or the operation is out of step. Detailed information can be found by Enter the sub interface to view. After viewing, you can press the "OK" button to clear the error record

option	illustrate
reset	After pressing the "OK" button, you will see a confirmation dialog box. Press the "OK" button again to enter the rounding interface Partial motor reset
Bulb control	On/off

七、DMX 16 Channel

thoroughfare	function	DMXvalue	function
1	Color disc	0~9	white light
		10~14	White light+color 1
		15~19	Color 1
		20~24	Color 1+Color 2
		25~29	Color 2
		30~34	Color 2+Color 3
		35~39	Color 3
		40~44	Color 3+Color 4
		45~49	Color 4
		50~54	Color 4+Color 5
		55~59	Color 5
		60~64	Color 5+Color 6
		65~69	Color 6
		70~74	Color 6+Color 7
		75~79	Color 7
		80~84	Color 7+Color 8
		85~89	Color 8
		90~94	Color 8+Color 9
		95~99	Color 9
		100~104	Color 9+Color 10
		105~109	Color 10
		110~114	Color 10+Color 11
		115~119	Color 11
		120~124	Color 11+Color 12
125~129	Color 12		
130~134	Color 13+Color 12		
135~139	Color 13		
140~149	Color 13+White Light		
150~203	Forward flow fast slow		
204~255	Reverse flow slow fast		
2	Strobing	0~3	Closed light
		4~103	Pulse strobe slow fast
		104~107	white light
		108~207	Effect strobe slow fast
		208~212	white light
		213~251	Random strobe slow fast
		252~255	white light
3	Dimming	0~255	From dark to bright
4	Fixed pattern disc	0~6	white light
		7~13	Figure 1

		14~20	Figure 2
		21~27	Figure 3
		28~34	Figure 4
		35~41	Figure 5
		42~47	Figure 6
		48~53	Figure 7
		54~59	Figure 8
		60~65	Figure 9
		66~71	Figure 10
		72~77	Figure 11
		78~83	Figure 12
		84~89	Figure 13
		90~95	Figure 13 Jitter
		96~100	Figure 12 Jitter
		101~105	Figure 11 Jitter
		106~110	Figure 10 Jitter
		111~115	Figure 9 Jitter
		116~120	Figure 8 Jitter
		121~125	Figure 7 Jitter
		126~130	Figure 6 Jitter
		131~135	Figure 5 Jitter
		136~140	Figure 4 Jitter
		146~150	Figure 3 Jitter
		151~155	Figure 2 Jitter
		156~160	Figure 1 Jitter
		161~165	white light
		166~205	Forward flow fast slow
		206~210	cease
		211~255	Reverse flow slow fast
5	Upper layer of prism	0~127	white light
		128~255	prism effect
6	Prism Rotation	0~128	Prism micro movement
		129~191	Clockwise rotation (from slow to fast)
		192~255	Counter clockwise rotation (from slow to fast)
7	Prism lower layer	0~127	white light
		128~255	prism effect
8	White light,	0~128	not have

	atomization, colorful	129~191 192~255	Atomization effect Colorful effect
9	focus	0~255	0 to 100% linear focusing
10	X horizontal scan	0~255	Horizontal scanning from 0 to 540 degrees
11	X-axis fine adjustment	0~255	X-axis micro adjustment
12	Y horizontal scan	0~255	Vertical scanning from 0 to 230 degrees
13	Y-axis fine adjustmen t	0~255	Y-axis vertical fine adjustment
14	XY speed	0~255	XY from fast to slow
15	reset	250~255	Reset all motors (hold for 5 seconds to take effect)
16	Light bulb on and light bulb off	100~105	Light bulb on (5 to 15 seconds)
		200~205	Turn off the light bulb (5-15 seconds)

八、Maintenance and cleaning

- 1) This headlights must be kept basically clean and dust-free. Stolen goods and tobacco and alcohol residue cannot remain inside the chassis or inside the chassis. Otherwise, it will greatly reduce the output of the shaking head lamp. Regular cleaning not only ensures the maximum output of the lamp, but also ensures the lifespan of the lamp itself. It is recommended to use a soft cloth and top grade glass cleaner for cleaning. Under no circumstances should alcohol or solvents be used.
- 2) Because the front lens is easily contaminated by tobacco and alcohol residue, it is very easy to reduce the output of light, so it is necessary to maintain the cleanliness of the lens.
- 3) There are no repairable components inside the equipment, except for fuses.
- 4) Please contact the manufacturer or distributor for maintenance and repair operations.
- 5) The replacement of a fuse, if the fuse is blown, only the same model and grade of fuse need to be replaced.
- 6) Please disconnect the power supply before replacing the fuse.
- 7) Danger: Please disconnect the power supply before starting any maintenance or repair work.

九、Technical Parameter

Voltage: AC100-240V 50-60Hz

Light source: 295w Color temperature: 9800K Life: 9999H

Beam angle: 0-5 degrees

Dimming: 0-100% linear dimming

Strobe: 1-13/S

Focusing: high-definition linear adjustment

Atomization: Soft and natural light spots

Prism: Single 16 prism and 8+8+8 integrated honeycomb prism

Color tray: A color tray, each consisting of 13 color chips and white light; One six color lens, one atomizing lens

Pattern disc: A fixed pattern disc with 17 patterns (3 wave patterns) and white light

Control mode: DMX512/master-slave/self-propelled/voice control

Channel: 16 channels

Display screen: LCD display screen

Level: 540, resolution 8Bit/16Bit

Vertical: 230, resolution 8Bit/16Bit

Protection level: IP20

Size: 535 * 420 *360 (MM)

Net weight: 18.5kgs