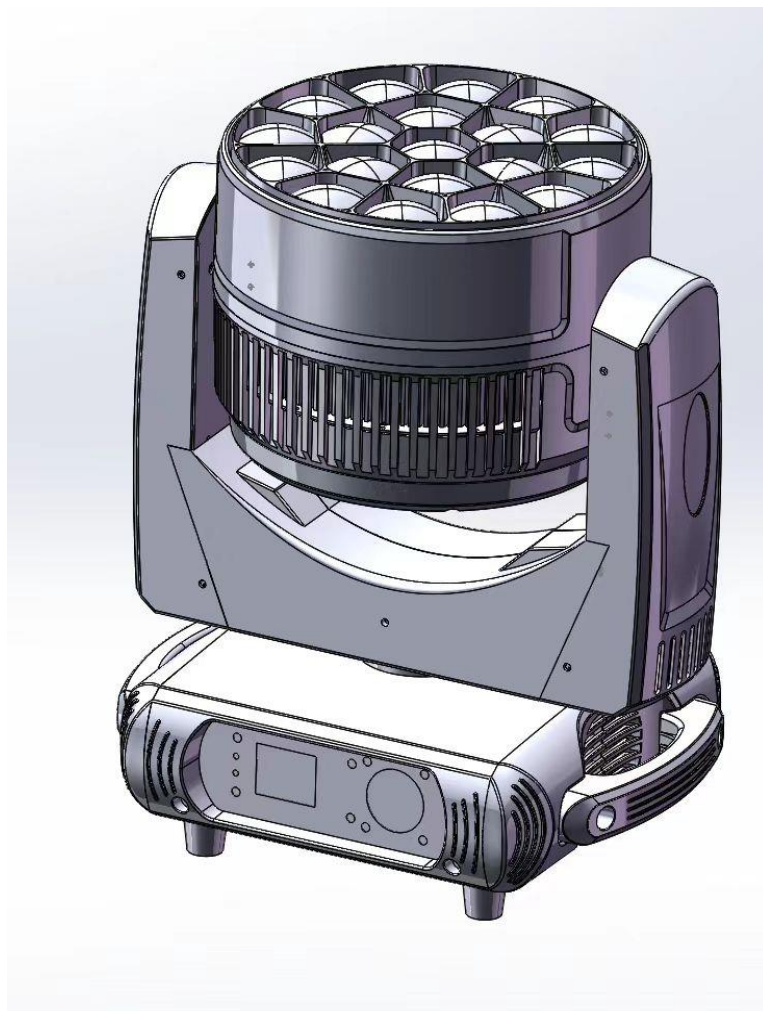


# TEMPO 19X40W BEE EYE



## Manual de instrucciones

Por favor, lee cuidadosamente el manual antes de usar el producto.





<b>Main Menu</b>	<b>Second</b>	<b>Third</b>	<b>Fourth</b>
<b>Dmx Address</b>	000 - 512		
<b>Fixture</b>	Dmx Mode	21CH / 35CH / 78CH / 111CH	
	Run Mode	DMX / Host / Sound	
	Pan Invert	Close / Open	
	Tilt Invert	Close / Open	
	Sensitivity	00 - 99	
<b>Manual</b>	Pan	000 - 255	
	Pan Fine	000 - 255	
	Tilt	000 - 255	
	Tilt Fine	000 - 255	
	⋮	⋮	
<b>Information</b>	Temperature	Head Temp	xxx°C
	Software Version	Panel	Vx.xx
		Dimmer	Vx.xx
<b>Factory</b>	Password	000 - 255	
	Pan	000 - 255	
	Tilt	000 - 255	
	Zoom	000 - 255	
	Zoom Rotation	000 - 255	
	Red	000 - 255	
	Green	000 - 255	
	Blue	000 - 255	
	White	000 - 255	
<b>Fixture Reset</b>	Motor Reset	Cance / Run	
	Factory	Cance / Run	
<b>Display</b>	Language	CH / EN	
	Display Flip	Off / On	
	Display Mode	60s / Show	

# 1. DMX Channels

## 21 Channels

CH	Function	DMX Value	Details
1	Red	0-255	Red dimmer
2	Red Fine	0-255	Red fine control
3	Green	0-255	Green dimmer
4	Green Fine	0-255	Green fine control
5	Blue	0-255	Blue dimmer
6	Blue Fine	0-255	Blue fine control
7	White	0-255	White dimmer
8	White Fine	0-255	White fine control
9	CTO	0-255	Color temperature linear control
10	Macro color	0-255	Marco color control
11	strobe	0-3	Light off
		4-103	Strobe with the same step from slow to fast
		104-107	Light on
		108-207	Divide strobe from slow to fast
		208-212	Light on
		213-225	Random strobe in low speed
		226-238	Random strobe in middle speed
		239-251	Random strobe in high speed
		252-255	Light on
12	Dimmer	0-255	0-100 linear dimmer from dark to bright
13	Dimmer Fine	0-255	Dimmer fine control
14	Pan	0-255	Pan movement control
15	Pan Fine	0-255	Pan fine control
16	Tilt	0-255	Tilt movement control
17	Tilt Fine	0-255	Pan fine control
18	Function	0-255	
19	Reset	0-250	No function
		251-255	Reset with 5 seconds
20	Zoom	0-255	
21	Zoom Rotation	0-127	0 to 60 degree
		128-191	Unlimited clockwise rotation from fast to slow
		192-255	Unlimited anticlockwise rotation from fast to slow

## 35 channels

CH	Function	DMX	Details
1	Red	0-255	Red dimmer
2	Red Fine	0-255	Red fine control
3	Green	0-255	Green dimmer
4	Green Fine	0-255	Green fine control
5	Blue	0-255	Blue dimmer
6	Blue Fine	0-255	Blue fine control
7	White	0-255	White dimmer
8	White Fine	0-255	White fine control
9	CTO	0-255	Color temperature linear control
10	Macro colour	0-255	Marco color control
11	strobe	0-3	Light up
		4-103	Strobe with the same step from slow to fast
		104-107	Light on
		108-207	Divide strobe from slow-fast
		208-212	Light on
		213-255	Random strobe from slow-fast
12	Dimmer	0-255	0-100 linear dimmer from dark to bright
13	Dimmer Fine	0-255	Dimmer fine control
14	Pan	0-255	Pan movement control
15	Pan Fine	0-255	Pan fine control
16	Tilt	0-255	Tilt movement control
17	Tilt Fine	0-255	Pan fine control
18	Function	0-255	
19	Reset	0-250	No function
		251-255	Reset with 5 seconds
20	Zoom	0-255	

21	Zoom Rotation	0-127	0 to 60 degree
		128-191	Unlimited clockwise rotation from fast to slow
		192-255	Unlimited anticlockwise rotation from fast to slow
22	Shape Selection	0-255	Selecting shape
23	Shape Speed	0-255	Shape speed control
24	Shape Fade	0-255	Shape fade
25	Shape R	0-255	Shape in Red color
26	Shape G	0-255	Shape in Green color
27	Shape B	0-255	Shape in Blue color
28	Shape W	0-255	Shape in White color
29	Shape Dimmer	0-255	Shape dimmer 0-100%
30	Background Dimmer	0-255	Background dimmer 0-100%
31	Shape Transition	0-255	Shape change
32	Shape Offset	0-255	Shape offset
33	Foreground strobe	0-255	Foreground strobe control
34	Background strobe	0-255	Background strobe control
35	Background select	0-255	Background selection

# 78channels

CH	Function	DMX Value	Details
1	Red	0-255	Red dimmer
2	Red Fine	0-255	Red fine control
3	Green	0-255	Green dimmer
4	Green Fine	0-255	Green fine control
5	Blue	0-255	Blue dimmer
6	Blue Fine	0-255	Blue fine control
7	White	0-255	White dimmer
8	White Fine	0-255	White fine control
9	CTO	0-255	Color temperature linear control
10	Macro color	0-255	Marco color control
11	strobe	0-3	Light off
		4-103	Strobe with the same step from slow to fast
		104-107	Light on
		108-207	Divide strobe from slow to fast
		208-212	Light on
		213-225	Random strobe in low speed
		226-238	Random strobe in middle speed
		239-251	Random strobe in high speed
		252-255	Light on
12	Dimmer	0-255	0-100 linear dimmer from dark to bright
13	Dimmer Fine	0-255	Dimmer fine control
14	Pan	0-255	Pan movement control
15	Pan Fine	0-255	Pan fine control
16	Tilt	0-255	Tilt movement control
17	Tilt Fine	0-255	Pan fine control
18	Function	0-255	
19	Reset	0-250	No function
		251-255	Reset with 5 seconds
20	Zoom	0-255	
21	Zoom Rotation	0-127	0 to 60 degree
		128-191	Unlimited clockwise rotation from fast to slow
		192-255	Unlimited anticlockwise rotation from fast to slow
22	Red dimmer 1	0-255	LED 1 red dimmer
23	Green dimmer 1	0-255	LED 1 green dimmer
24	Blue dimmer 1	0-255	LED 1 blue dimmer
25	Red dimmer 2	0-255	LED 2 red dimmer
26	Green dimmer 2	0-255	LED 2 green dimmer
27	Blue dimmer 2	0-255	LED 2 blue dimmer
.....	.....	.....	.....
...	.....	.....	.....
76	Red dimmer 19	0-255	LED 19 red dimmer
77	Green dimmer	0-255	LED 19 green dimmer
78	Blue dimmer 19	0-255	LED 19 blue dimmer

111 channels

CH	Function	DMX	Details
1	Red	0-255	Red dimmer
2	Red Fine	0-255	Red fine control
3	Green	0-255	Green dimmer
4	Green Fine	0-255	Green fine control
5	Blue	0-255	Blue dimmer
6	Blue Fine	0-255	Blue fine control
7	White	0-255	White dimmer
8	White Fine	0-255	White fine control
9	CTO	0-255	Color temperature linear control
10	Macro colour	0-255	Marco color control
11	strobe	0-3	Light up
		4-103	Strobe with the same step from slow to fast
		104-107	Light on
		108-207	Divide strobe from slow-fast
		208-212	Light on
		213-255	Random strobe from slow-fast
12	Dimmer	0-255	0-100 linear dimmer from dark to bright
13	Dimmer Fine	0-255	Dimmer fine control
14	Pan	0-255	Pan movement control
15	Pan Fine	0-255	Pan fine control
16	Tilt	0-255	Tilt movement control
17	Tilt Fine	0-255	Pan fine control
18	Function	0-255	
19	Reset	0-250	No function
		251-255	Reset with 5 seconds
20	Zoom	0-255	
21	Zoom Rotation	0-127	0 to 60 degree
		128-191	Unlimited clockwise rotation from fast to slow



		192-255	Unlimited anticlockwise rotation from fast to slow
22	Shape Selection	0-255	Selecting shape
23	Shape Speed	0-255	Shape speed control
24	Shape Fade	0-255	Shape fade
25	Shape R	0-255	Shape in Red color
26	Shape G	0-255	Shape in Green color
27	Shape B	0-255	Shape in Blue color
28	Shape W	0-255	Shape in White color
29	Shape Dimmer	0-255	Shape dimmer 0-100%
30	Background Dimmer	0-255	Background dimmer 0-100%
31	Shape Transition	0-255	Shape change
32	Shape Offset	0-255	Shape offset
33	Foreground strobe	0-255	Foreground strobe control
34	Background strobe	0-255	Background strobe control
35	Background select	0-255	Background selection
36	Red dimmer 1	0-255	LED 1 red dimmer
37	Green dimmer 1	0-255	LED 1 green dimmer
38	Blue dimmer 1	0-255	LED 1 blue dimmer
39	White dimmer 1	0-255	
40	Red dimmer 2	0-255	LED 2 red dimmer
41	Green dimmer 2	0-255	LED 2 green dimmer
42	Blue dimmer 2	0-255	LED 2 blue dimmer
43	White dimmer 2	0-255	
...	.....	.....	.....
...	.....	.....	.....
108	Red dimmer 19	0-255	LED 19 red dimmer
109	Green dimmer 19	0-255	LED 19 green dimmer
110	Blue dimmer 19	0-255	LED 19 blue dimmer
111	White dimmer 19	0-255	

# Control de efectos de punto

1. **Ajusta todos los valores del panel de control de los 6 canales a 255** para los canales 11, 12, 29, 30, 33 y 34.
2. Después de completar el **paso 1**, ajusta el valor del **canal 22** entre **8 y 70** (cada valor tiene un efecto, consulta el manual para obtener valores detallados).
3. Tras finalizar el segundo paso, **puedes ajustar el color de las cuentas de luz** en los canales 25-28 en este momento.
4. El **canal 23** controla la velocidad del efecto.
5. El **canal 24** controla el efecto de retardo especial.
6. Después de completar todas las operaciones anteriores, **puedes ajustar los canales 1-8** para aumentar el color de fondo y lograr más combinaciones de efectos.

Además, ten en cuenta las siguientes características de protección:

- **Protección de la lámpara:** Cuando la temperatura mostrada en el producto supera los **60-65 grados**, el producto reduce automáticamente la potencia para proteger la lámpara. Cuando la temperatura está por debajo de los **60 grados**, la lámpara funciona a la potencia máxima.
- **Ventilador:** La temperatura del producto entre **30 y 40 grados Celsius** activa el ventilador a **media potencia** para la disipación del calor. Si la temperatura supera los **41 grados Celsius**, el ventilador funciona a **potencia completa** para la disipación del calor.