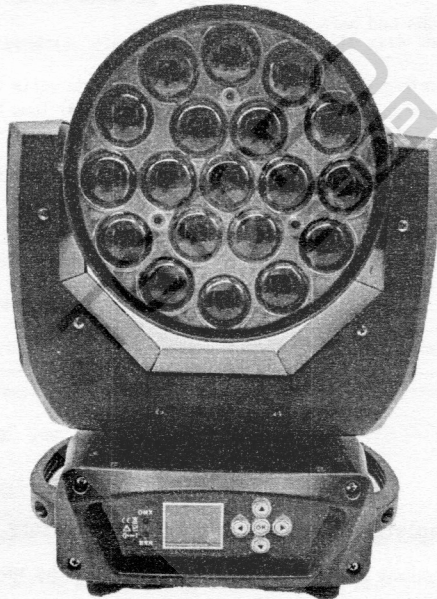


LED 19*15W (4IN1-R G B W) Dyeing and shaking
the headlamps
manual



(Please read the instructions carefully before using the product
and properly manage)

Thank you choose to use our factory's LED 19 * 15W (4IN1-R G B W) focus dyeing head shaking. For proper and safe use of this product, please read the instructions carefully before installing this product. This manual contains important installation and application information. Please observe the procedure carefully when installing and operating the product. At the same time, please keep this manual.

Our LED 19 * 15W (4IN1-R G B W) focus on dyeing moving head using a new beautiful high temperature metal body. This product strictly follows the CE standard design and production, in line with international standards DMX512 signal protocol, can be used alone control, but also online use, with fast rotation, low noise, powerful features for small and medium-sized concerts, theaters, Studios, nightclubs and bars and other places,

This product uses a bright and stable LED 19 * 15W (4IN1-R G B W) lamp beads. Please carefully remove the packaging, after the removal of the package to check whether the product is damaged in the transport process, and check whether the following is complete.

Dyeing lamp	-----	1	Taiwan		
Fast on the lock	-----	2		Manual	----- 1 this
Power line	-----	1	article	Signal line	----- 1 article

This product is a complete product before leaving the factory. In order to maintain the integrity of the product and ensure safe operation, the user should follow the safety precautions and warnings of this manual.

important: Damage caused by failure to follow this instruction is not covered by the warranty. The supplier is not responsible for the resulting product.

If the product has been exposed to extreme unstable temperatures (eg after shipping), do not

immediately connect the product to the product because the water droplets due to temperature changes may damage the product. Please use the product after returning to normal temperature.

This product can be used in the 90-240V voltage range, is used for indoor products. Please ensure that the use of ground voltage is not higher than the product can withstand the range! The power plug must be plugged into a protective class I socket. Green or tea cyan conductor must be grounded.

Always check this product grade power cord. Make sure that the power cord does not fold or damage the scratches and is not connected to the other wires! Special attention is required when connecting the power cord or the associated connection. Be sure to unplug the power supply before using this product or before cleaning it.

Before using the product, please familiarize yourself with the operation function of the product. Please do not allow children or non-professionals to contact the product. Please do not shake this product. Do not use brute force when installing or operating the product. Do not let non-professionals operate the product. Most of the damage is caused by a non-professional operation.

The product is not equipped with the relevant maintenance accessories. Product maintenance and repair can only be carried out by professionals!

Please do not arbitrarily change the product, otherwise it may damage the product, so the damage is not covered by the warranty. Moreover, non-professional operation may lead to short circuit, burn or electric shock, and so on.

DMX512 signal connection:

This fixture uses the DMX512 signal control mode. Each lamp control signal is connected in parallel. When connecting multiple lamp signals, it is best to use the double-core shielded cable. When connecting, the lamps are connected to the DMX signal jack (XLR) (Input) and OUTPUT (output) are connected. The 3-pin XLR plug terminals of the signal cable connecting the lamps must correspond to each other. When connecting the lamp signal, it is recommended to use the DMX signal terminator. The DMX signal terminator is a XLR plug between the 2 feet and 3 feet to connect a 120 ohm 1W resistor, and connect it to the last lamp OUTPUT (output) jack.

Lamp start address code calculation method:

The starting address of the current fixture is equal to (the starting address code of the last fixture) + (the number of channels of the lamp)

1: The starting address code value A001 of the first fixture.

2: The number of basic channels of the controller should be greater than or equal to the total number of channels used for the lamp.

3: Note: When using any controller, each fixture should have its own starting address code, if the firstThe starting address code of a lamp is set to A001 and the lamp channel pass is 16CH; then the starting address code of the second fixture is set to A019; the starting address code of the third fixture is set to A037; (This setting also need to be based on different console to set)

Lamp installation instructions:

The lamp can be placed horizontally, oblique hanging and upside down, oblique hanging and upside down must pay attention to the installation method. Lamp fixed installation: Before positioning the lamp, to ensure the stability of the installation site, in the reverse hanging installation, must ensure Do not fall on the support frame, use a safety rope to wear the support frame and the lamp handle, to assist the hanging; to ensure safety. To prevent the falling and sliding lamps, lamps and lanterns in the installation and commissioning, the following prohibited pedestrian through, regular inspection of safety Whether the rope wear, hook screw is loose, if the installation is not stable due to hanging, resulting in all the consequences of falling lights, the manufacturer does not assume any responsibility.

Instructions:

This product is shaking his head stained beam light, used to create stained performance.

If the product is subject to a large temperature difference (for example, after shipping), do not start the product immediately because the shrinkage of the heat account will damage the product. Please wait until the device reaches normal room temperature before starting the product.

Note shockproof. Avoid strong collision during product installation.

Please do not lift the entire product through the lamp, as the mechanical properties of the device may be impaired.

When choosing a location, make sure that the product is not exposed to overheating, dampness, or dust. Please do not put any wires on the ground, otherwise you may get the risk of electric shock.

Before installing the product, make sure the mounting point is safe

Fasten the product to safety ropes and check that all screws are correct during installation

Make sure the lens is in good condition. When the lens is damaged or scratched, replace the lens.

It is recommended to be operated by a technician familiar with this product. Non-technicians are forbidden to operate this equipment because many losses result from unprofessional operations.

Please keep the packing materials in good condition for the second shipment.

If there is no manufacturer or dealer guidance, please do not change the product.

Failure to follow the instructions in this manual does not constitute warranty of any equipment failure caused by the use of this equipment. And as a result of any short circuit, injury, electric shock, UV damage, light bulb explosion accidents are not covered under warranty.

Product hanging and installation:

Note: For greater safety, hang the product away from the walkway, seat area, or within reach of people. Before hanging the product, make sure that the mounting point can endure 10 times the weight of the product. Product installation must have double protection device, such as safety rope. When hanging, removing or repairing this product, it is forbidden to stand under the installation point. Please ensure that the product should be installed at least 0.5m away from flammable materials. Remember to use safety ropes as a safety precaution to prevent accidental release if you quickly lock it loose.

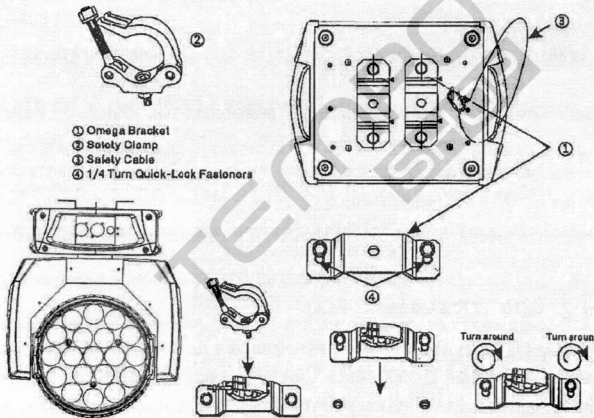
Lifting Point:

Top hangers require installation personnel must be experienced, including the calculation of load-bearing requirements, the use of installation materials, periodic inspection of installation materials and product safety conditions. If you lack this knowledge, do not try to install it yourself. Failure to do so may result in serious consequences such as personal injury.

Before powering on the product, be sure to complete all required hanging and installation procedures.

Quickly lock the hanging:

The bottom of the product specifically designed professional hanging pieces, including quick-locking hanging pieces and safety rope hanging point (see below). When hanging the product from the truss, keep in mind that using a quick lock, secure it to the product's quick-locking pendant and suspend it with M10 screws. For further safety, secure the safety rope to the safety rope suspension point on the bottom of the product and fasten it to the truss.



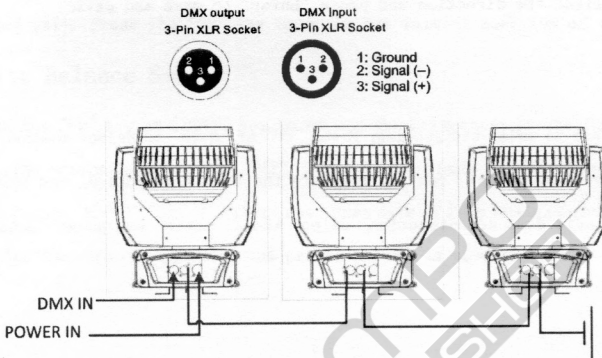
81/5000

Note:

Regardless of your choice of hanging, be sure to use safety ropes. The bottom of the product is equipped with a special safety rope hanging point, please refer to the figure, and keep in mind the use of specially provided safety rope hanging point, do not install the safety rope in the handle position.

DMX-512 control connections:

Plug the male XLR signal cable provided with this product into the signal output port of the controller. The female connector is inserted into the signal input port on the rear panel of this product. You can talk about multiple products in series, the signal line needs to be three hearts, shielded, with XLR input and output head. Please refer to the figure below.



1、Address Set

This option is used to set the DMX communication address, press "Enter" key to enter the setting, press "UP" key to increase the address number, and then "DOWN" key to reduce the address number, select the address and press "Enter" Save and exit.

2、Work Mode

Press the "Enter" key to enter the setting, press "UP" key or "DOWN" key to select the working mode, the working mode is followed by "DMX512", "Slow", "Fast", "Sound" and "Slave", select the work mode and press "Enter" to save and exit.

DMX512: Console operating mode

Slow: Slow walking mode

Fast: Fast speed mode

Sound Voice self - propelled mode

Slave: Slave mode

3、 Invert PAN

Press the "Enter" key to enter the setting. Press "UP" or "DOWN" to select whether to select "Yes" or "Yes" for X axis. Select "Yes" to select the "X" direction. "NO" means that the X axis does not direction, select the direction and press "Enter" to save and exit.

4、 Invert TILT

Press the "Enter" key to enter the setting. Press "UP" or "DOWN" to select whether the Y axis is in the reverse direction, select "Yes" to indicate the Y axis direction, and select "Yes". "NO" means that the Y axis does not direction, select the direction and press "Enter" to save and exit.

5、 Display Set

Press "UP" key to enter the setting, press "UP" key or "DOWN" button to select the backlight switch, select "Yes" that the LCD backlight has been long bright , Do not turn off, select "NO" that no key operation 20 seconds off until the key operation to re-open. Select the mode and press "Enter" to save and exit.

6、 Channel Mode Set

Press the "Enter" key to enter the setting, press "UP" or "DOWN" to select the channel mode, and the channel mode is "24CH Mode", "14CH Mode, " Design Mode ", select the channel mode and press "Enter" to save and exit.

24CH Mode: 24 channel mode

16CH Mode: 16 channel mode

7、Restore Factory Settings

The user chooses to restore the factory settings, so the parameter settings will be set according to the product before the factory.

8、Reset

After the user chooses to reset, wait 3 seconds and the lamp body will reset

9、PAN/TILT Calibration

Press the "UP" key or the "DOWN" key to adjust the initial position, and then press "Enter" to save and exit. Press the "UP" key to enter the initial position of the XY axis.

10、White Balance Set

Press the "UP" key or "DOWN" key to adjust the brightness of the four colors of red, green and blue, the options are "SET_R", "SET_G", and then press the "UP" key to enter the LED white balance setting. "SET_B" "SET_W", there are three sets of lamp beads of the current can be adjusted to determine the color brightness and press "Enter" to save the exit.

Product parameters:

Voltage: AC90-240v

Power: 350W

Frequency: 50-60Hz

Lamp beads: LED 19*15W (4IN1-R G B W)

aisle: 16CH/24CH

Control mode: DMX / master / slave / voice control

Horizontal scan: 540 degrees

Vertical scan: 270 degrees

Strobe: 1-25 times / sec or random

Display: LCD / English WQERFWSFRF

16CH DMX512Channel table:

16aisle	Features	DMXValue	description
1	Xaxis	0-255	0 ~ 540 degrees
2	X-Shaft fine tuning	0-255	16bitAdjustable
3	Yaxis	0-255	0~2700 ~ 540 degrees
4	Y-Shaft fine tuning	0-255	16bitAdjustable
5	XY speed	0-255	Speed from fast to slow
6	Total dimming	0-255	From dim to bright for linear dimming
7	Strobe	0-3	No function
		4-95	Synchronous strobe speed from slow to fast (1HZ ~ 25HZ)
		96-176	Random strobe
		177-255	Lightning strobe
8	RDimming	0-255	Red dimming from dark to bright
9	GDimming	0-255	Green dimming from dark to bright
10	BDimming	0-255	Blue dimming from dark to bright
11	WDimming	0-255	White dimming from dark to bright
12	focusing	0-255	
13	Lighting effect display	0-24	Built-in effect1
		25-49	Built-in effect2
		50-74	Built-in effect3
		75-99	Built-in effect4
		100-124	Built-in effect5
		125-149	Built-in effect6
		150-174	Built-in effect7
		175-199	Built-in effect8
		200-224	Built-in effect9
		225-255	Built-in effect10
14	Lighting effect speed	0-255	From fast to slow
15	Macro function	0-49	No function
		50-99	Lighting effect display (built-in effect)
		100-149	Walk away1
		150-199	Walk away2
		200-255	Light body control
16	Reset	0-250	No function
		251-255	Light body reset, 3s effective.

24CH DMX512Channel table:

24aisle	Features	DMXValue	description
1	Xaxis	0-255	0~540degrees
2	X axis fine tuning	0-255	16bitAdjustable
3	Yaxis	0-255	0~270degrees
4	Y axis fine tuning	0-255	16bitAdjustable
5	XY speed	0-255	Speed from fast to slow
6	focusing	0-255	
7	Total dimming	0-255	From dim to bright for linear dimming
8	Strobe	0-3	No function
		4-95	Synchronous strobe speed from slow to fast (1HZ ~ 25HZ)
		96-176	Random strobe
		177-255	Lightning strobe
9	R1Dimming	0-255	Area 1 red dimming from dark to bright
10	G1Dimming	0-255	Area 1 green dimming from dark to bright
11	B1Dimming	0-255	Area 1 blue dimming from dark to bright
12	W1Dimming	0-255	Area 1 White dimming from dark to bright
13	R2Dimming	0-255	Area 2 red dimming from dark to bright
14	G2Dimming	0-255	Area 2 green dimming from dark to bright
15	B2Dimming	0-255	Area 2 blue dimming from dark to bright
16	W2Dimming	0-255	Area 2 White dimming from dark to bright
17	R3Dimming	0-255	Area 3 red dimming from dark to bright
18	G3Dimming	0-255	Area 3 Green dimming from dark to bright
19	B3Dimming	0-255	Area 3 blue dimming from dark to bright
20	W3Dimming	0-255	Area 3 White dimming from dark to bright
21	Lighting effect display	0-24	Built-in effect1
		25-49	Built-in effect2
		50-74	Built-in effect3
		75-99	Built-in effect4
		100-124	Built-in effect5
		125-149	Built-in effect6
		150-174	Built-in effect7
		175-199	Built-in effect8
		200-224	Built-in effect9
		225-255	Built-in effect10

22	Lighting effect speed	0-255	From fast to slow
23	Macro function	0-49	No function
		50-99	Lighting effect display (built-in effect)
		100-149	Walk away1
		150-199	Walk away2
		200-255	Light body control
24	Reset	0-250	No function
		251-255	Light body reset, 3s effective.

TEMPO
SHOP